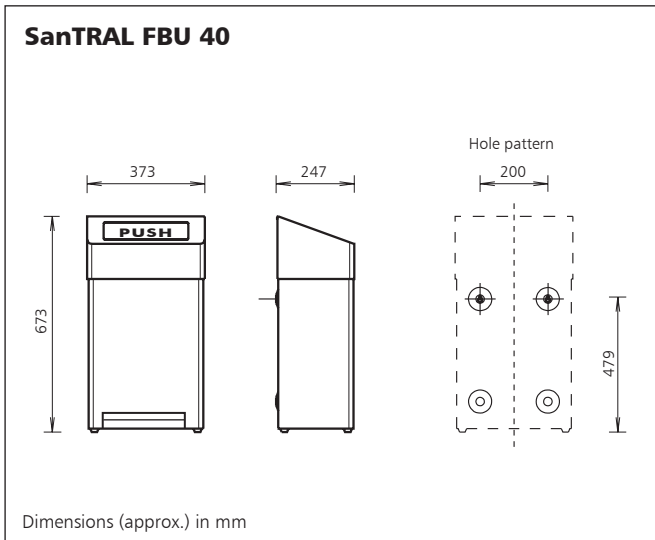


SanTRAL® FBU 40

closed waste container with foot operatable
self-closing insertion flap,
free standing or for wall mounting



Ophardt Hygiene-Technik GmbH + Co. KG
Lindenau 27 • D-47661 Issum
Tel.: +49 2835 18-0 • Fax: +49 2835 18-77
E-Mail: info@ophardt.com • www.ophardt.com



Waste container

References:

- ▶ for universal application
- ▶ old people's-/nursing homes, hospitals, laboratories, industry, shopping centers, gastronomy and hotels, airports, penal institutions, schools, sport facilities, administrations

Place of application:

- ▶ washrooms, toilets, baths, care and medical rooms, kitchens, production sites, offices

Technical Data

Housing: Stainless steel, brushed and ground or powder coated (white RAL 9010)

Insertion flap: Stainless steel, brushed and ground, foot operatable, self-closing

Mounting: with two plugs und steel screws suitable for wall mounting or free standing

Capacity: 40 liters

Description for tender

..... pcs. **SanTRAL FBU 40 P Art-No. 1416027**
waste container, 40 liters,
stainless steel, powder coated (white RAL 9010),
self-closing, maintenance free
insertion flap made of stainless steel,
foot operating
free standing or for wall mounting
Dimensions W 373 x H 673 x D 247 mm

..... pcs. **SanTRAL FBU 40 E Art-No. 1415853**
waste container, 40 liters,
stainless steel, brushed and ground,
self-closing, maintenance free
insertion flap made of stainless steel,
foot operating,
free standing or for wall mounting
Dimensions W 373 x H 673 x D 247 mm

Product: **SanTRAL®**
Manufacturer: OPHARDT HYGIENE-TECHNIK GmbH + Co. KG